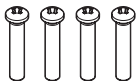
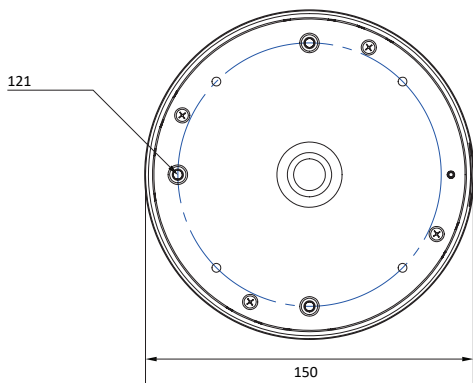


1. Dimension & Accessories



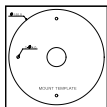
Junction Bracket
Screw - 4pcs



Gang Plate
Screw - 3pcs



Screw &
Plastic Anchor - 3pcs



Mount Template