

Ceiling Bracket Manual Indoor / Outdoor IR PTZ Camera

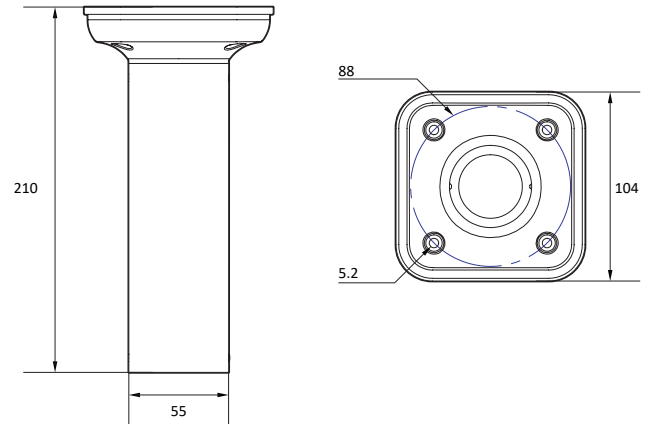
Quick Manual

Ver. 1.0 / 2021.06

Before installing and using the Camera, please read this manual carefully.
Be sure to keep it handy for future reference.

1. Accessories & Dimension

☒ Please check if all the camera and accessories are included in the package.



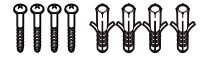
Manual



Hexagonal Wrench

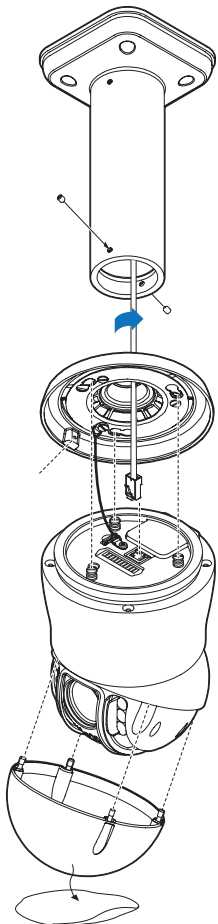


Mount Template

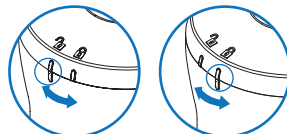


Screw &
Plastic Anchor-4pcs

2. Installation



- 1 Attach the dome cover to the camera.
- 2 Turn the camera to the Mount Bracket to attach it and secure it with the Set Screw.
- 3 Open the Bottom case and connect the Lan cable.
- 4 Assemble the PTZ Base and Mount cover.
☒ Be sure to assemble the PTZ Base and Mount cover to match the Mount Point.



UNLOCK

LOCK

- 5 Secure the PTZ base and the mount cover completely with set screw.
- 6 Remove the dome cover protection film.