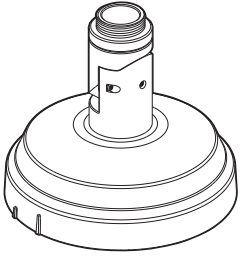


# 1. Dimension & Accessories

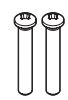
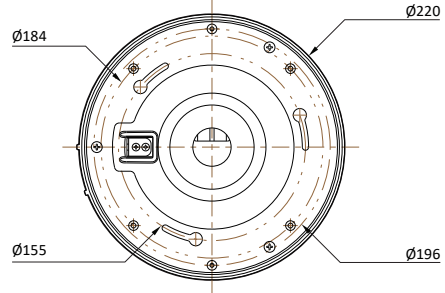
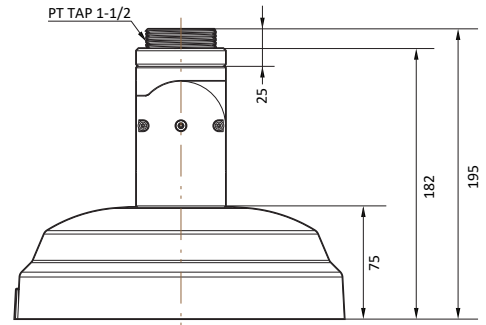


## Angle Ceiling Bracket Manual Multi-Sensor Outdoor Dome Camera

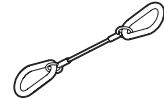
### Quick Manual

Ver. 1.0 / 2021.09

Before installing and using the Camera, please read this manual carefully.  
Be sure to keep it handy for future reference.



Tilt Mount Screw



Safety Wire



Manual

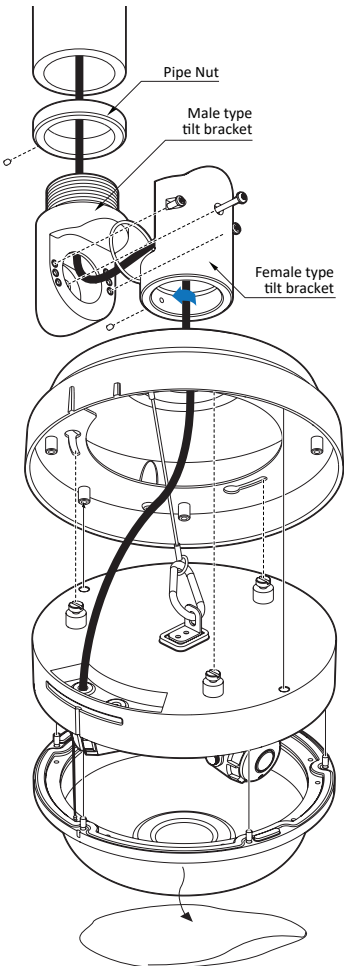


Torx Wrench

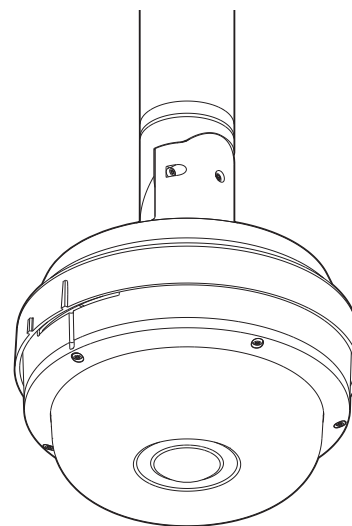
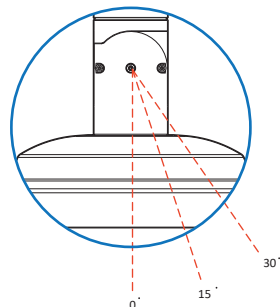


Hexagonal Wrench

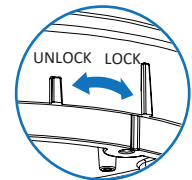
# 2. Installation



- 1 Disassemble the Male type tilt bracket and Female type tilt bracket..
- 2 Pass the cable through the Male type tilt bracket and fasten it to the pipe you want to secure.
- 3 After tightening, adjust the position with the pipe nut and secure the set screw using hex wrench.
- 4 Pass the cable through the O-ring and Female type tilt bracket and tighten the Torx-20 screw at the desired angle with the torx wrench.
  - ⚠ Be careful not to dislodge the O-ring when tightening.



- 5 Pass the cable through the Mount cap, tighten the Mount cap on the tilt bracket and secure it with set screw.
  - ⚠ Be careful as there is a risk of disconnection if the cable is pulled too hard.
- 6 Hook the safety wire and connect the cable.
- 7 Insert the camera according to the turn direction of the mount cap, turn it and adjust it to the fixed direction, and fix it with screw.



- 8 Assemble the upper case.
- 9 Remove the protective film from the camera's dome to complete the installation.

### [Camera List]

