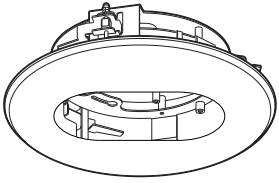


1. Accessories & Dimension

☒ Please check if all the camera and accessories are included in the package.

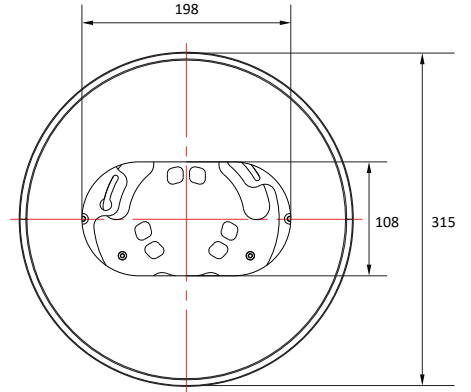
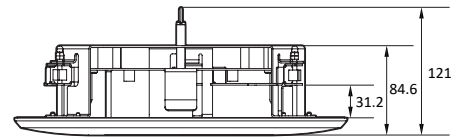


Inceiling Bracket Manual Multi-Sensor Outdoor Dome Camera

Quick Manual

Ver. 1.0 / 2021.11

Before installing and using the Camera, please read this manual carefully.
Be sure to keep it handy for future reference.



Mount Screw



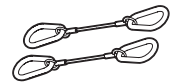
Eye Bolt



Manual

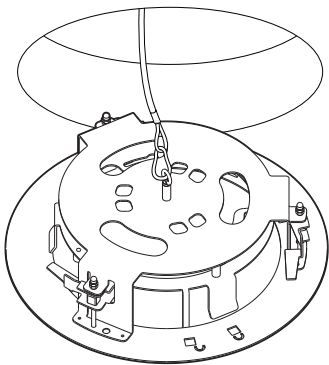


Mount Template

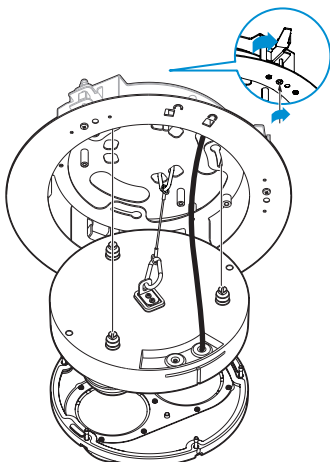


Safety Wire 2ea

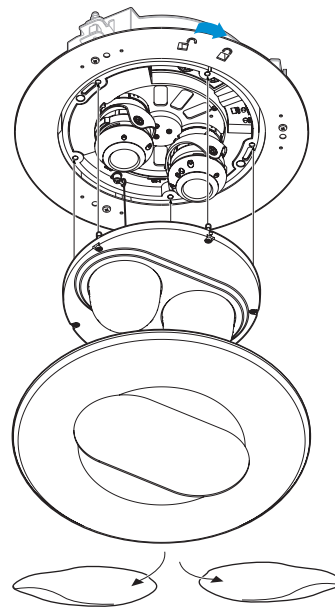
2. Installation



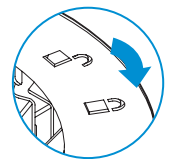
- 1 Connect the Eye Bolt and Safety Wire to fix it.



- 2 Turn the 3Point In-ceiling wing with a screwdriver to fix it while expanding.
- 3 Connect the camera using the Safety Wire.



- 4 Align the Mount Point, insert the center and turn it to the right to attach it.



- 5 Fix it completely using 2 Mount Screw.

- 6 After adjusting the camera, tighten the upper screw to connect the top case.

- 7 Complete the installation by attaching the cover case with the magnet attached in-sealing bracket.

- 8 Remove the camera dome cover film.